

Titan Literature Holder

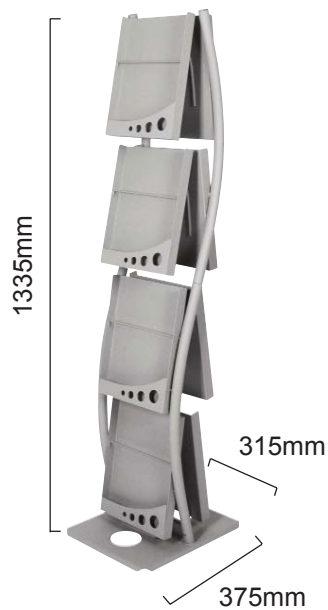
AS224



A new robust, stylish literature stand that is ideal for permanent or semi-permanent display such as corporate receptions or outdoor roadshows.

features & benefits

- Heavy duty double-sided literature holder
- 8 pocket A4 portrait capacity
- Robust, stylish design ideal for permanent or semi-permanent display
- Splits into 3 pieces for storage and easy transportation
- Available in black or silver powdercoated



Titan dimensions

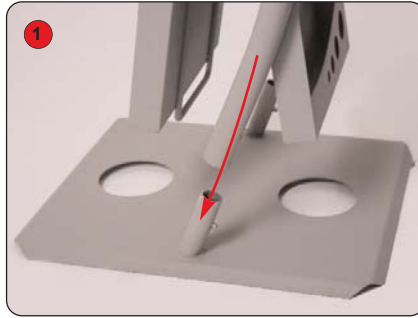
hardware specifications	pocket specifications	additional info
Hardware Dimensions (mm) 1335 (h) x 315 (w) x 375 (d) Weight: 12.75kg approx	Internal pocket dimensions (mm): 305 (h) x 230 (w) x 21 (d)	Included in kit: Base, 2 x literature holder sections Availability: Black or silver powdercoated

We are continually improving and modifying our product range and reserve the right to vary the specifications without prior notice. All dimensions and weights quoted are approximate and we accept no responsibility for variance. E&OE.

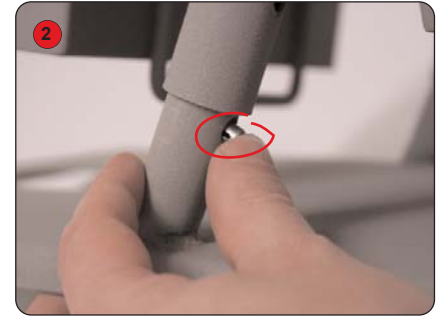
Assembly Instructions



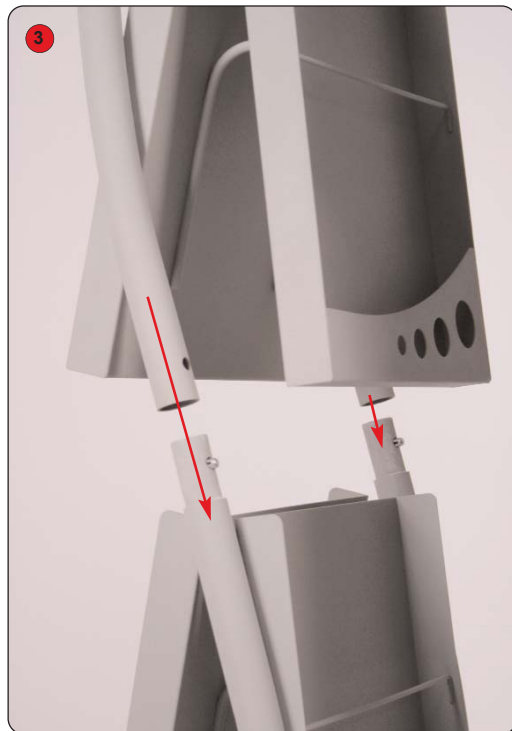
Kit includes: base, 2 x literature holder sections



1 Place the base on the floor and slot the bottom of the larger holder section over the base uprights.



2 Ensure that the pip at the top of the base tube is pressed in, slot over the top section and press down until the pip pops through.



3 Take the 2nd literature holder section and slot onto the one below, again ensuring that the pips are pressed in when sliding onto the 1st holder section uprights.



Other products in our literature holder range include:



10-Up Deluxe

Curvaceous styling with 10 'wire frame' pockets. Slim and lightweight, available in silver or black.



Expression

Versatile one step easy cantilever assembly action, 6 pocket A4 capacity, stable and stylish curved base.



Zed Up

Highly functional, 6 x A4 pockets, double sided and collapsible.